



Atlantic Regenerative Blowers





## Atlantic Regenerative Blowers



Atlantic Regenerative Blowers are available in either single stage or double stage configurations. Single stage refers to the blower having one impeller and double stage refers to the blower having two impellers.

Atlantic Regenerative Blowers are made with the utmost quality. The impeller is directly connected to the motor shaft, therefore eliminating any need for pulleys and belts.

The following options are also available:

**E (Explosion Proof )Series** - featuring explosion-proof construction, heavy duty cast aluminum manifolds; spark resistant housings, covers, impellers, muffler towers, and seals; Teflon lip seals; and explosion-proof motors. (IP44, 54, 55/Class 2/Group B/Div. 1)

**BS (Bare Shaft) Series**- featuring the same explosion-proof construction as the E series with the added benefit of externally driven operation.

**CC (Chemical Coated Regenerative) Series**- featuring E explosion-proof designs with chemically corrosion resistant treatments, chemical duty motors.

### Advantages:

- Oil Free Air
- Low Noise Levels (64 – 88 db)
- Virtually Maintenance Free Operation
- Compact and efficient in electricity usage
- Trouble Free Installation (Can be mounted horizontally and vertically)
- Industrial Duty Bearings

### Operational Performance:

Air Flow: 18 CFM up to 988 CFM

Pressure: 22" H2O up to 307" H2O

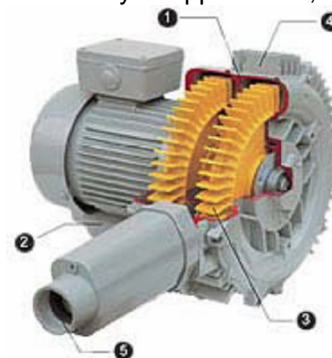
Vacuum: 21" H2O up to 236" H2O

### Operational Principles:

The impeller rotates inside the blower housing pulling in air or gas through the impeller chamber (1) through the side channel (2) pulling it in through the inlet (3). The impeller accelerates the air or gas (4) until it is fully pressurized and discharged through the exhaust outlet (5).

Atlantic Blowers has designed and manufactured regenerative blowers for a wide variety of applications, including:

- Wastewater Treatment Aeration
- Tank Aeration (Fish Pond Aeration)
- Soil Vapor Extraction
- Vacuum Lifting
- Gasoline Vapor Recovery
- Pneumatic Transport of Powders and Solids
- Groundwater Sprigging
- Vacuum Hold Down
- Lagoon Gas Recovery
- Landfill Gas Evacuation and Collection
- General Parts Drying
- Material Handling





## Atlantic Regenerative Blowers

Atlantic Single Stage Regenerative Blowers											
Single Stage											
Phase	Model Number	KW	HP	Flow (CFM)	Max Pressure ("H <sub>2</sub> O)	Maximum Vacuum	Current(A) @ 230V	Weight (lbs)	Sound Level (db)	Inlet Diameter	Curve Number
1	AB-71	0.12	0.16	18.00	22.00	21.00	1.3	12.00	51.00	1"	1H
	AB-81	0.18	0.25	25.00	28.00	28.00	2.0	15.00	53.00	1"	2H
	AB-91	0.23	0.33	35.00	44.00	29.00	2.6	15.00	51.00	1"	3H
	AB-101	0.40	0.50	50.00	47.00	40.00	4.5	20.00	64.00	1.25"	4H
	AB-201	0.75	1.00	102.00	47.00	44.00	6.5	31.00	66.00	1.5"	14H
	AB-301	1.5	2.00	141.00	71.00	63.00	11.5	50.00	75.00	2"	23H
3	AB-401	2.2	3.00	141.00	110.00	79.00	15	55.00	75.00	2"	24H
	AB-70	0.12	0.16	18.00	22.00	21.00	0.9	12.00	51.00	1"	1H
	AB-80	0.18	0.25	25.00	28.00	28.00	1.3	15.00	53.00	1"	2H
	AB-90	0.23	0.33	35.00	44.00	29.00	1.6	15.00	51.00	1"	3H
	AB-100	0.5	0.67	58.00	64.00	60.00	2.4	26.00	56.00	1.25"	4H
	AB-200	0.93	1.25	103.00	64.00	64.00	4.2	37.00	64.00	1.5"	12H
	AB-300	1.50	2.00	150.00	79.00	67.00	6.7	44.00	70.00	2"	20H
	AB-400	2.55	3.50	150.00	118.00	105.00	8.5	56.00	70.00	2"	21H
	AB-500	2.50	3.50	212.00	88.00	88.00	9.5	66.00	70.00	2"	30H
	AB-600	3.7	5.00	221.00	118.00	110.00	14	66.00	72.00	2"	31H
	AB-700	4.6	6.00	221.00	134.00	133.00	17	93.00	72.00	2"	32H
	AB-800	6.3	8.50	353.00	137.00	129.00	22	143.00	82.00	2.5"	80H
	AB-850	7.5	10.00	464.00	134.00	129.00	24	150.00	85.00	2.5"	75H
	AB-900	8.6	11.50	353.00	177.00	138.00	29	150.00	82.00	2.5"	81H
AB-1000	11	15.00	353.00	248.00	158.00	40	165.00	78.00	2.5"	82H	
AB-1100	11	15.00	706.00	67.00	71.00	40	220.00	82.00	4"	100H	
AB-1200	15.3	20.00	706.00	106.00	114.00	54	247.00	82.00	4"	101H	
AB-1300	22.7	30.00	706.00	169.00	150.00	76	350.00	82.00	4"	102H	

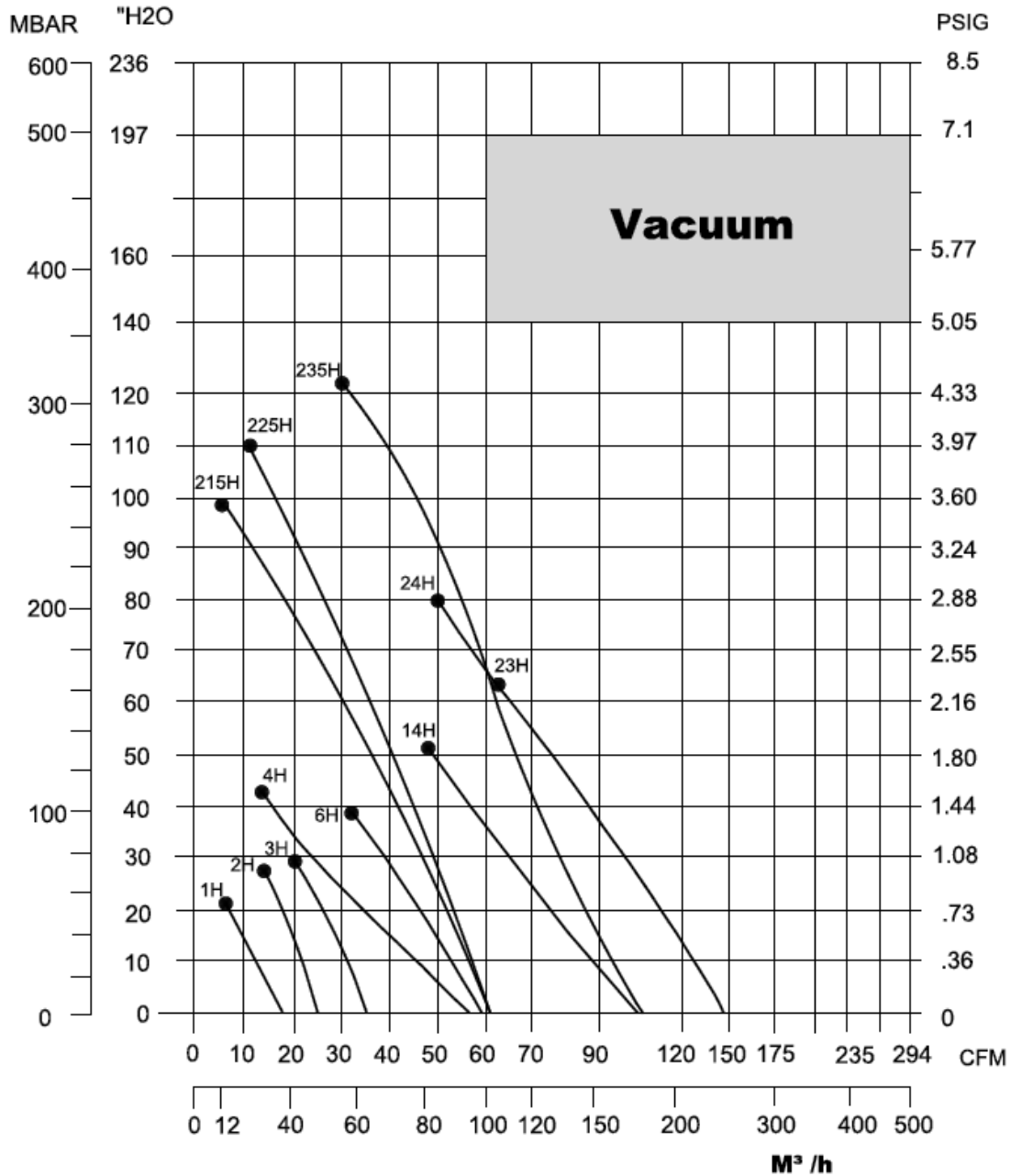
Atlantic Double Stage Regenerative Blowers											
Double Stage											
Phase	Model Number	KW	HP	Flow (CFM)	Max Pressure ("H <sub>2</sub> O)	Maximum Vacuum	Current(A) @ 230V	Weight (lbs)	Sound Level (db)	Inlet Diameter	Curve Number
1	AB-102/1	0.4	0.50	58.00	59.00	40.00	4.5	33.00	68.00	1.125"	6H
	AB-202/1	0.75	1.00	61.00	101.00	101.00	6.5	37.00	68.00	1.125"	215H
	AB-302/1	1.1	1.50	61.00	118.00	110.00	10	51.00	68.00	1.125"	225H
	AB-402/1	2.2	3.00	113.00	138.00	110.00	12	55.00	75.00	1.5"	235H
3	AB-102	0.5	0.67	58.00	59.00	40.00	2.4	31.00	68.00	1.125"	37H
	AB-202	0.83	1.20	61.00	101.00	101.00	4.2	31.00	61.00	1.125"	40H
	AB-302	1.5	2.00	58.00	118.00	87.00	5.9	53.00	68.00	1.125"	41H
	AB-402S	1.75	2.35	110.00	110.00	110.00	6.7	55.00	75.00	1.5"	49H
	AB-402	2.55	3.50	113.00	158.00	129.00	9.5	55.00	69.00	1.5"	50H
	AB-502	2.55	3.50	145.00	169.00	141.00	9.5	60.00	69.00	2"	59H
	AB-602	3.45	5.00	162.00	165.00	161.00	14	86.00	74.00	2"	60H
	AB-702	4.6	6.00	145.00	197.00	169.00	17	95.00	74.00	2"	61H
	AB-802	4.8	6.00	227.00	138.00	150.00	17	117.00	76.00	2"	72H
	AB-902	6.3	8.50	227.00	201.00	177.00	22	155.00	76.00	2"	73H
	AB-1002	8.6	11.50	227.00	265.00	185.00	29	170.00	76.00	2"	74H
	AB-1102	12.6	16.90	353.00	256.00	170.00	43	313.00	82.00	2.5"	91H
	AB-1202	17.3	23.20	353.00	307.00	181.00	59	353.00	82.00	2.5"	92H
	AB-1302	15.5	20.00	776.00	87.00	99.00	54	350.00	88.00	4"	111H
AB-1402	18.5	25.00	776.00	118.00	134.00	65	365.00	88.00	4"	112H	
AB-1502	26.8	35.00	776.00	189.00	189.00	82	400.00	88.00	4"	113H	

The electric motors used in the blowers are AC motors equipped with self-cooling fans and are rated as "H" class with IP54 protection. The above specifications may be changed without notice for improved product performance.



# Atlantic Regenerative Blowers

## Vacuum Performance Curve Single Phase



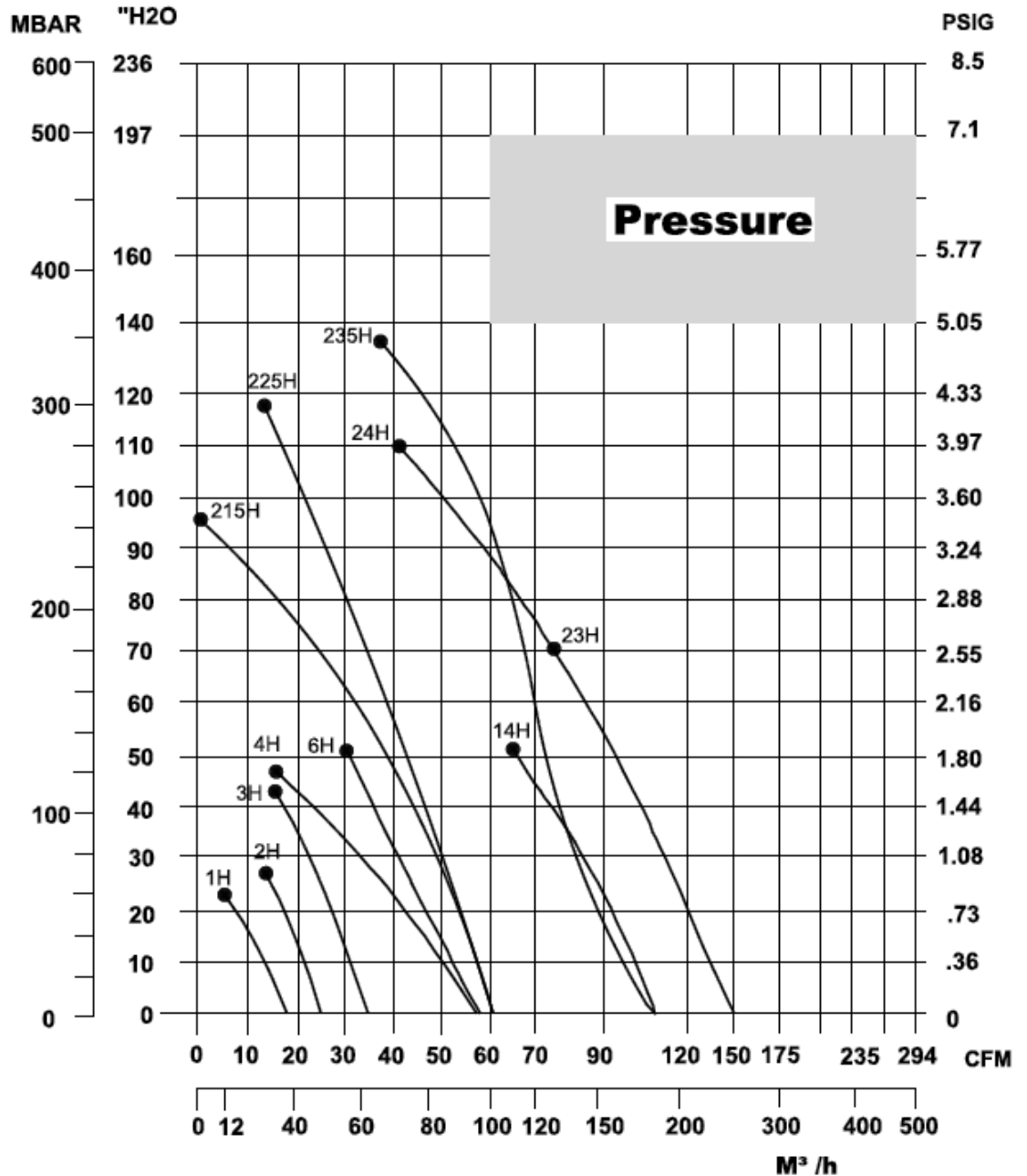
\*Performance curves for all blowers are 60Hz. Ask for information on 50Hz.



# Atlantic Regenerative Blowers

## Pressure Performance Curve

## Single Phase

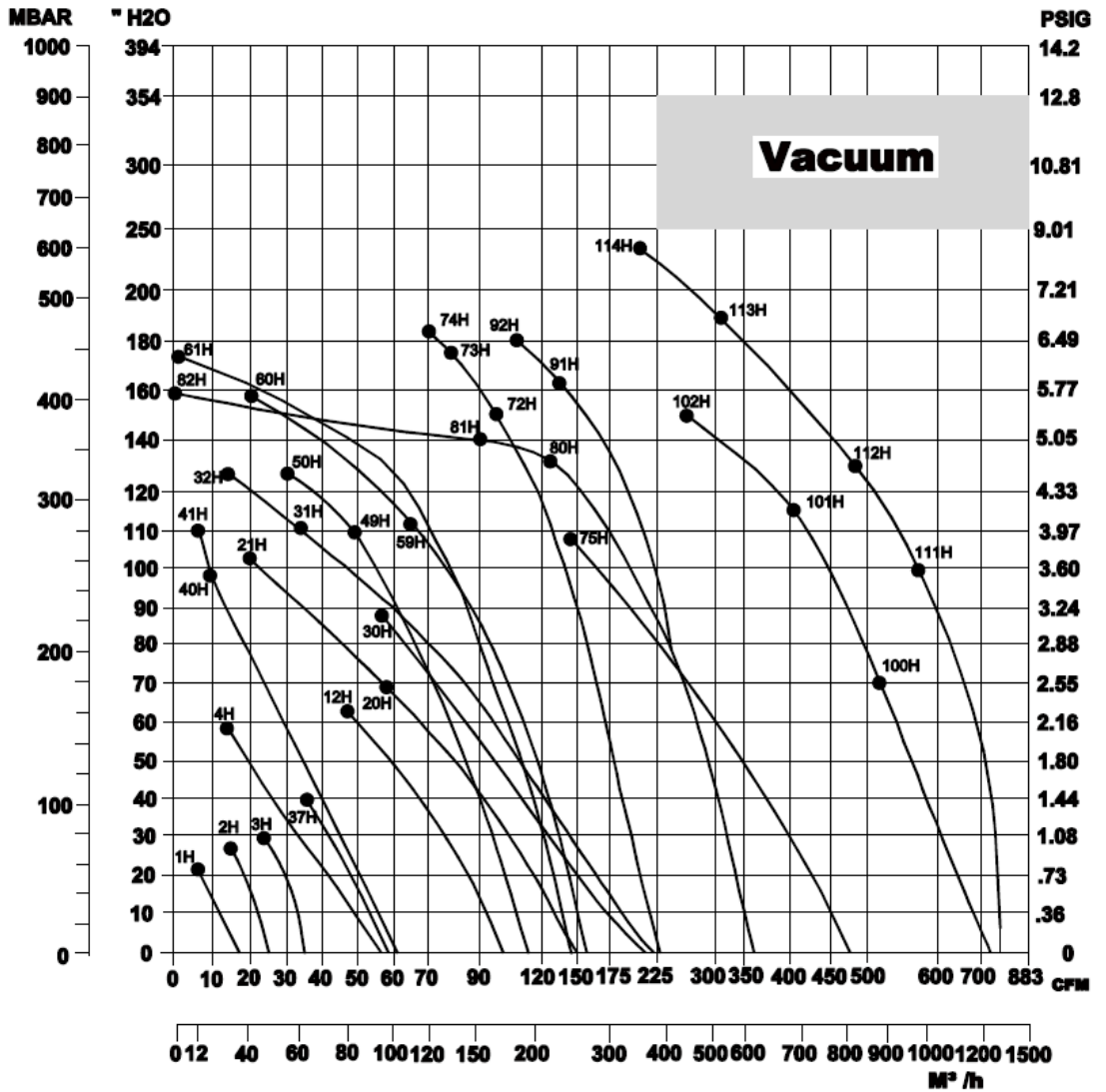




# Atlantic Regenerative Blowers

## Vacuum Performance Curve

3 Phase



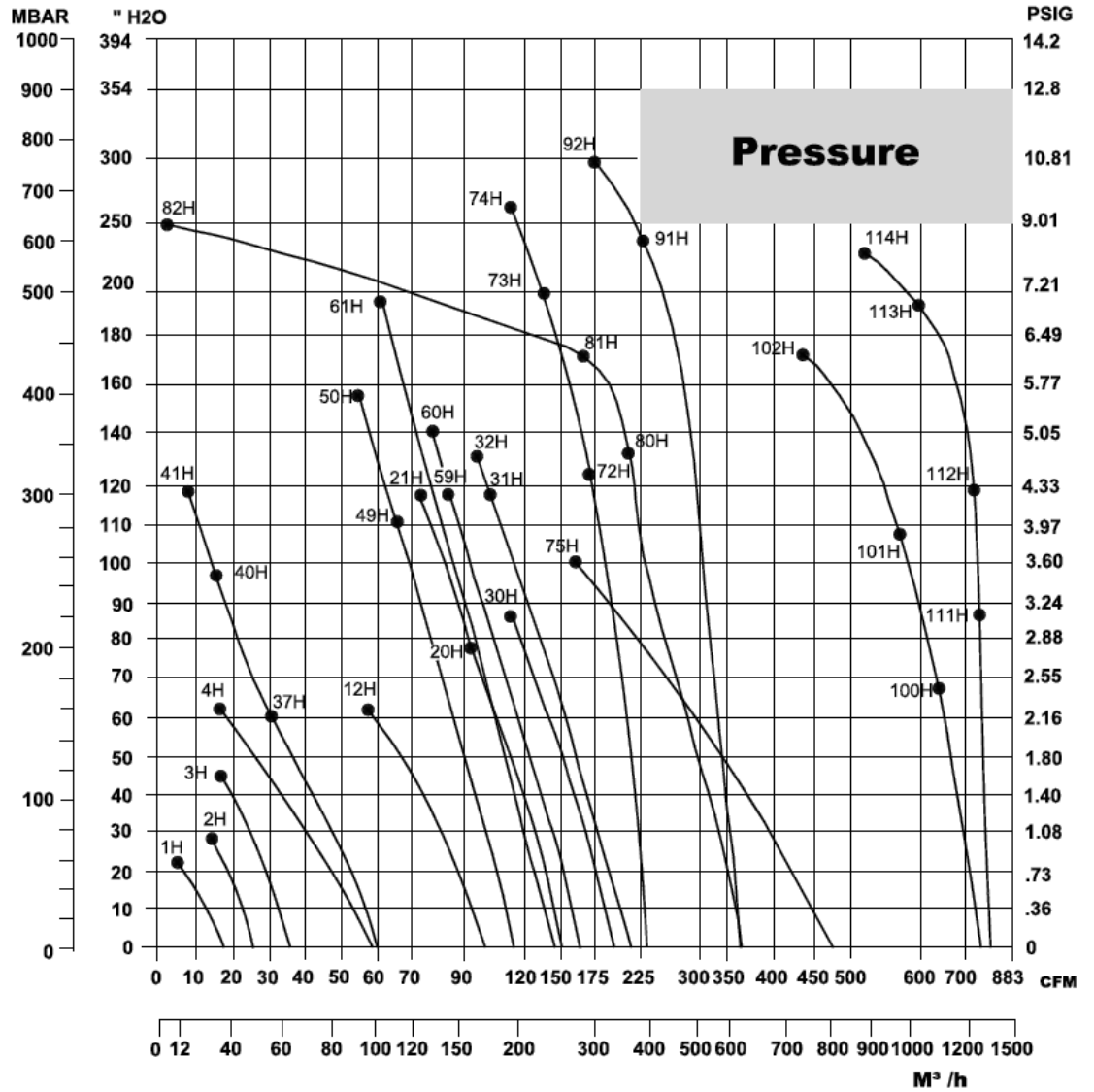
\*Performance curves for all blowers are 60Hz. Ask for information on 50Hz.



# Atlantic Regenerative Blowers

## Pressure Performance Curve

## 3 Phase

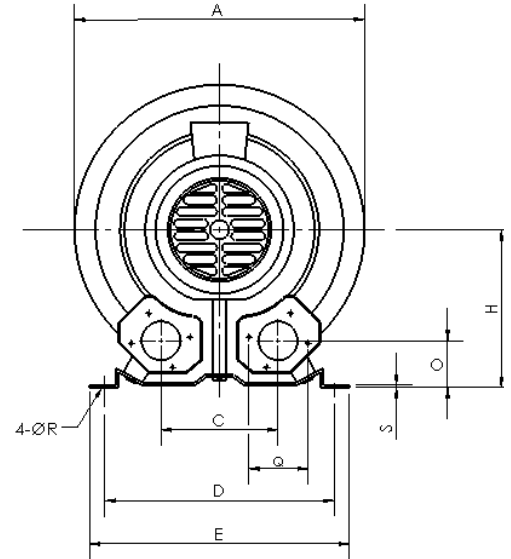
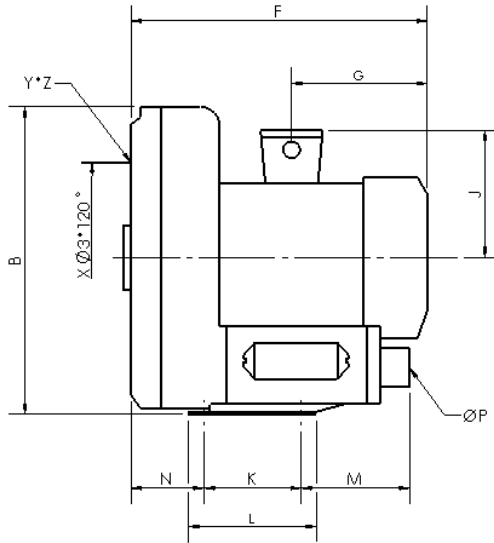


\*Performance curves for all blowers are 60Hz. Ask for information on 50Hz.



# Atlantic Regenerative Blowers

## Single Stage



Model	KW	HP	A	B	C	D	E	F	G	H
AB-71	0.12	0.16	7.80	8.35	3.35	7.05	7.72	8.66	4.25	4.53
AB-81	0.18	0.25	7.80	8.35	3.35	7.05	7.72	8.66	4.25	4.53
AB-91	0.23	0.33	7.80	8.35	3.35	7.05	7.72	8.66	4.25	4.53
AB-101	0.40	0.50	9.69	9.72	3.54	8.07	9.06	10.08	5.24	5.04
AB-201	0.75	1.00	10.28	10.47	3.98	8.11	8.98	9.65	5.08	3.82
AB-301	1.50	2.00	13.15	13.27	4.72	10.24	11.61	12.36	6.14	6.89
AB-401	1.75	3.00	13.15	13.27	4.72	10.24	11.61	13.62	7.40	6.89
AB-70	0.12	0.16	7.80	8.35	3.35	7.05	7.72	8.66	4.25	4.53
AB-80	0.18	0.25	7.80	8.35	3.35	7.05	7.72	8.66	4.25	4.53
AB-90	0.23	0.33	7.80	8.35	3.35	7.05	7.72	8.66	4.25	4.53
AB-100	0.50	0.67	9.69	9.72	3.54	8.07	9.06	10.08	5.08	5.04
AB-200	0.93	1.25	11.22	11.89	4.53	8.86	10.04	10.59	5.08	6.06
AB-300	1.50	2.00	13.15	13.27	4.72	10.24	11.61	12.36	6.02	6.89
AB-400	2.25	3.50	13.15	13.27	4.72	10.24	11.61	13.62	7.28	6.89
AB-500	2.50	3.50	14.29	14.37	4.72	11.42	12.80	5.39	7.48	7.48
AB-600	2.55	5.00	15.04	15.12	4.92	11.42	12.80	14.84	7.28	7.80
AB-700	4.60	6.00	15.04	15.12	4.92	11.42	12.80	17.01	8.31	7.80

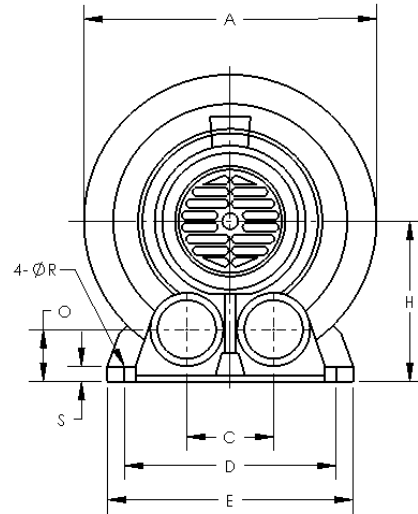
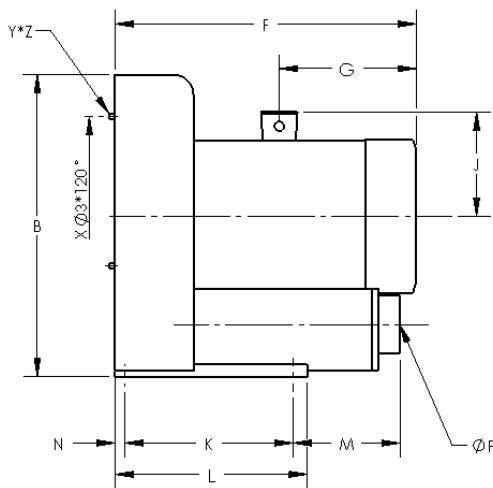
Model	J	K	L	M	N	O	ØP	Q	ØR	S	X	Y*Z
AB-71	3.94	2.56	3.54	1.57	1.77	1.34	1.00	2.36	0.33	0.08	4.69	M6
AB-81	3.94	2.56	3.54	1.57	1.77	1.34	1.00	2.36	0.33	0.08	4.69	M6
AB-91	3.94	2.56	3.54	1.57	1.77	1.34	1.00	2.36	0.33	0.08	4.69	M6
AB-101	4.37	3.27	4.25	2.95	2.80	1.54	1.25	2.52	0.39	0.10	5.51	M6
AB-201	6.06	3.27	4.13	2.95	2.80	1.65	1.50	2.68	0.47	0.12	6.22	M6
AB-301	4.72	4.53	6.10	3.78	3.43	1.89	2.00	3.27	0.55	0.16	7.87	M8
AB-401	5.04	4.53	6.10	3.78	3.43	1.89	2.00	3.27	0.55	0.16	7.87	M8
AB-70	3.94	2.56	3.54	1.57	1.77	1.34	1.00	2.36	0.33	0.08	4.69	M6
AB-80	3.94	2.56	3.54	1.57	1.77	1.34	1.00	2.36	0.33	0.08	4.69	M6
AB-90	3.94	2.56	3.54	1.57	1.77	1.34	1.00	2.36	0.33	0.08	4.69	M6
AB-100	4.37	3.27	4.25	2.95	2.80	1.54	1.25	2.52	0.39	0.10	5.51	M6
AB-200	4.72	3.74	5.12	2.76	2.95	1.81	1.50	2.68	0.47	0.12	6.85	M6
AB-300	5.04	4.53	6.10	3.78	3.43	1.89	2.00	3.27	0.55	0.16	7.87	M8
AB-400	5.04	4.53	6.10	3.78	3.43	1.89	2.00	3.27	0.55	0.16	7.87	M8
AB-500	6.14	5.51	7.09	2.99	3.74	2.13	2.00	3.27	0.59	0.18	9.48	M10
AB-600	5.04	5.51	7.09	3.31	4.29	2.13	2.00	3.27	0.59	0.18	9.45	M10
AB-700	5.83	5.51	7.09	3.31	4.29	2.13	2.00	3.27	0.59	0.18	9.45	M10

All units are in inches.



# Atlantic Regenerative Blowers

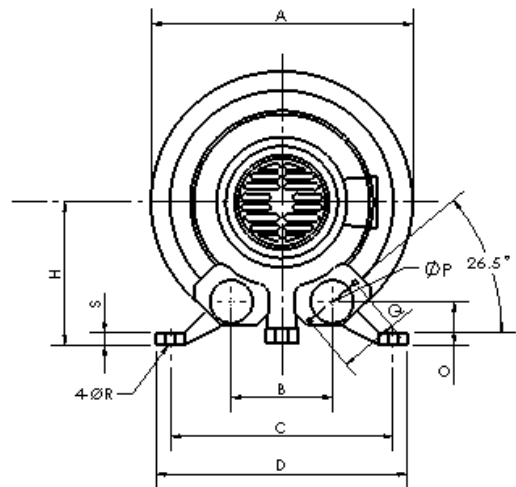
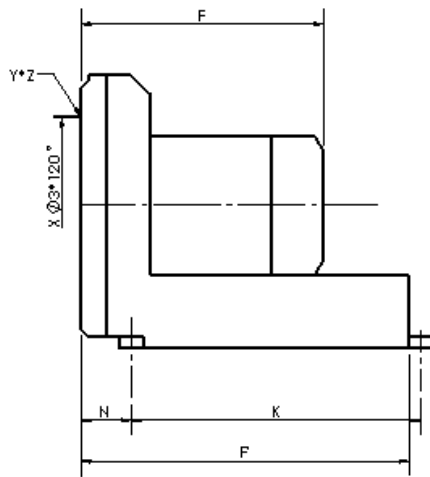
## Single Stage



Model	KW	HP	A	B	C	D	E	F	G	H
AB-800	6.3	8.50	17.40	18.31	5.71	15.35	16.54	19.09	5.39	9.29
AB-850	7.5	10.00	19.37	20.20	5.12	12.20	12.99	21.18	-	10.85
AB-900	8.6	11.50	17.40	18.31	5.71	15.35	16.54	19.09	5.39	9.29
AB-1000	11	15	19.88	20.47	7.5	14.37	16.63	24.61	-	10.75

Model	J	K	L	M	N	O	ØP	Q	R	S	X	Y*Z
AB-800	7.52	7.09	8.66	2.52	3.31	2.36	2.50	4.09	0.59	0.24	10.75	M12
AB-850	-	7.09	9.65	3.74	1.57	2.62	0.10	3.46	0.43	0.59	-	M12
AB-900	7.52	7.09	8.66	2.52	3.31	2.36	2.50	4.09	0.59	0.24	10.75	M12
AB-1000	9.94	11.41	12.44	7.28	0.67	19.75	2.5/3	-	0.31	1.02	10.06	M12

## Single Stage



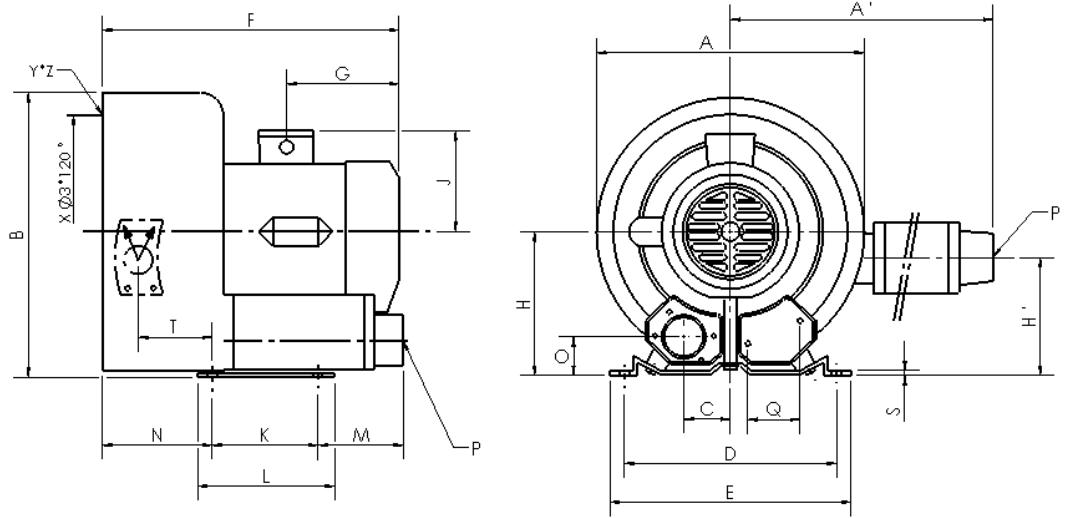
Model	KW	HP	A	B	C	D	F	F'	H
AB-1100	11	15.00	21.65	8.35	14.17	16.34	20.08	27.17	11.81
AB-1200	15.3	20.00	21.65	8.35	14.17	16.34	22.05	27.17	11.81
AB-1300	22.7	30.00	21.65	8.35	14.17	16.34	22.05	27.17	11.81

Model	K	N	O	ØP	Q	ØR	S	X	Y*Z
AB-1100	24.02	4.17	3.58	4	5.91	0.59	0.98	19.29	M12
AB-1200	24.02	4.17	3.58	4	5.91	0.59	0.98	19.29	M12
AB-1300	24.02	4.17	3.58	4	5.91	0.59	0.98	19.29	M12



# Atlantic Regenerative Blowers

## Double Stage



Model	KW	HP	A	A'	B	C	D	E	F	G	H	H'
AB-102/1	0.40	0.50	11.18	19.49	10.63	1.77	8.07	9.06	12.60	5.08	5.04	4.17
AB-202/1	0.75	1.00	11.18	12.44	10.63	1.77	8.07	9.06	12.44	5.08	5.04	4.17
AB-302/1	1.1	1.50	12.64	12.64	12.40	2.28	8.86	10.04	15.79	7.28	6.06	6.06
AB-102	0.50	0.67	11.18	19.49	10.63	1.77	8.07	9.06	12.09	5.08	5.04	4.17
AB-202	0.83	1.20	11.18	12.44	10.63	1.77	8.07	9.06	12.44	5.08	5.04	4.17
AB-302	1.50	2.00	11.18	19.49	10.83	1.77	8.86	9.06	14.06	5.31	5.04	4.17
AB-402S	1.75	2.35	12.64	20.39	12.68	2.26	8.86	10.04	16.30	5.31	6.06	6.06
AB-402	2.05	3.50	12.64	12.64	12.40	2.28	8.86	8.86	15.79	7.28	6.06	6.06
AB-502	2.55	3.50	12.64	12.64	12.40	2.28	8.86	8.86	15.79	7.28	6.06	6.06
AB-602	3.45	5.00	14.65	16.18	14.61	2.36	10.24	11.61	18.31	7.48	6.89	5.67
AB-702	4.60	6.00	14.65	16.18	14.61	2.36	10.24	11.61	19.65	8.82	6.89	5.67
AB-802	4.80	6.00	16.77	16.69	16.54	2.48	11.42	12.80	20.79	8.31	7.80	6.46
AB-902	6.30	8.50	16.77	16.69	16.54	2.48	11.42	12.80	22.44	8.86	7.80	6.46
AB-1002	8.60	11.50	16.77	16.69	16.54	2.48	11.42	12.80	22.44	8.86	7.80	6.46

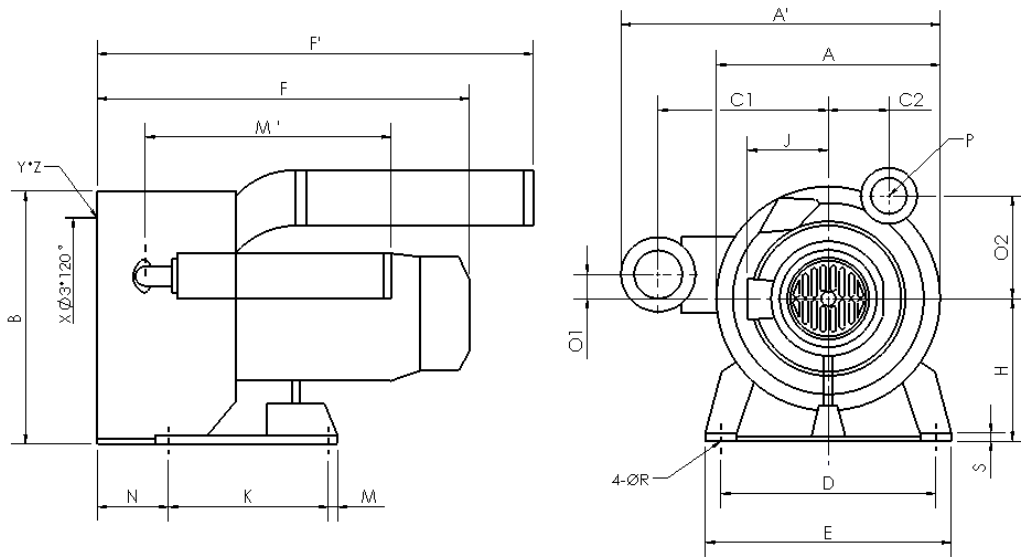
Model	J	K	L	M	N	O	ØP	Q	ØR	S	T	X	Y*Z
AB-102/1	4.92	3.27	4.25	4.21	5.12	3.50	1.25	2.52	0.39	0.10	3.46	5.51	M6
AB-202/1	4.37	3.27	4.25	2.95	5.12	1.54	1.25	2.52	0.39	0.10	3.46	5.51	M6
AB-302/1	5.04	3.74	5.12	2.76	5.94	1.81	1.50	2.83	0.47	0.12	4.17	6.85	M6
AB-102	4.92	3.27	4.25	4.22	5.12	3.50	1.25	2.52	0.39	0.10	3.46	5.51	M6
AB-202	4.37	3.27	4.25	2.95	5.12	1.54	1.25	2.52	0.39	0.10	3.46	5.51	M6
AB-302	4.92	3.27	5.12	4.22	5.12	3.50	1.25	2.52	0.39	0.10	3.46	5.51	M6
AB-402S	5.43	3.74	5.12	4.21	5.59	1.81	1.50	2.83	0.47	0.10	3.82	6.85	M6
AB-402	5.04	3.74	5.12	2.76	5.94	1.81	1.50	2.83	0.47	0.12	4.17	6.85	M6
AB-502	5.04	3.74	5.12	2.76	5.94	1.81	1.50	2.83	0.47	0.12	4.17	6.85	M8
AB-602	5.31	4.53	6.10	3.86	6.73	1.89	2.17	3.27	0.55	0.16	4.57	7.87	M8
AB-702	5.31	4.53	6.10	3.86	6.73	1.89	2.17	3.27	0.55	0.16	4.57	7.87	M8
AB-802	5.83	5.51	7.09	3.31	8.07	2.13	2.17	3.27	0.59	0.18	5.08	9.45	M10
AB-902	6.57	5.51	7.09	8.86	8.07	3.70	2.17	3.27	0.59	0.18	5.08	9.45	M10
AB-1002	6.57	5.51	7.09	8.86	8.07	3.70	2.17	3.27	0.59	0.18	5.08	9.45	M10

All units are in inches.



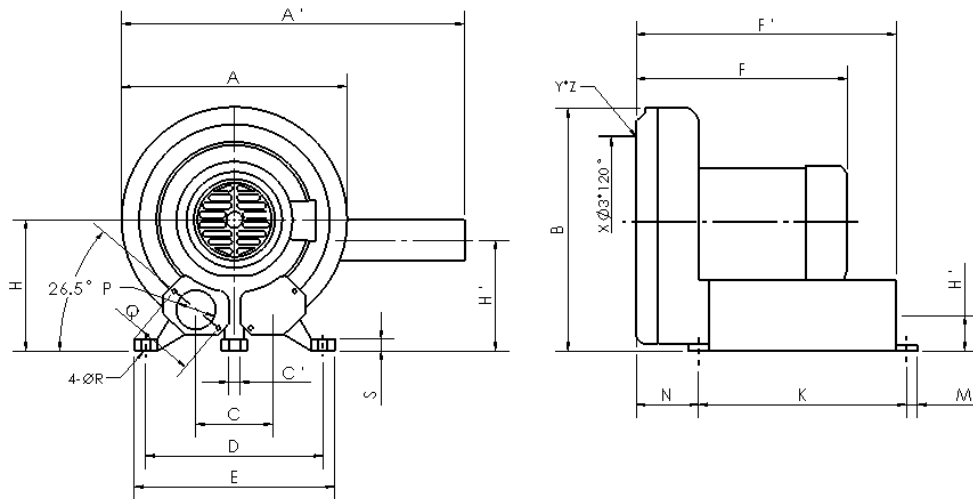
# Atlantic Regenerative Blowers

## Double Stage



Model	KW	HP	A	A'	B	C	C'	C1	C2	D	E	F	F'	H	H'
AB-1102	12.6	16.90	19.88	25.2	20.47			12.52	2.87	14.37	16.54	24.02	23.43	10.43	9.65
AB-1202	17.3	23.20	19.88	25.2	20.47			12.52	2.87	14.37	16.54	25.98	23.43	10.43	9.65
AB-1302	15.5	20.00	21.65	42.13		8.35	0.59			14.17	16.33	27.36	33.07	11.81	9.65

Model	J	K	M	M'	N	O	O1	O2	ØP	Q	ØR	S	X	Y*Z
AB-1102	10.04	11.42	6.69	15.83	5.37		2.6	7.24	2.5	5.20	0.59	1.02	16.06	M12
AB-1202	10.04	11.42	6.69	15.83	5.37		2.6	7.24	2.5	5.20	0.59	1.02	16.06	M12
AB-1302	10.04	14.17	0.79	21.73	9.45	3.58			4	5.91	0.59	0.98	19.29	M12



Model	KW	HP	A	A'	C	C'	D	E	F	F'	H	H'
AB-1402	18.5	25.00	21.65	42.13	8.35	0.59	14.17	16.33	29.33	33.07	11.81	9.65
AB-1502	26.8	35.00	21.65	42.13	8.35	0.59	14.17	16.33	29.33	33.07	11.81	9.65
AB-1602	37.0	50.00	21.65	42.13	8.35	0.59	14.17	16.33	33.46	33.07	11.81	9.65

Model	J	K	M	N	O	ØP	Q	ØR	S	X	Y*Z
AB-1402	10.04	14.17	0.79	9.45	3.58	4	5.91	0.59	0.98	19.29	M12
AB-1502	10.04	14.17	0.79	9.45	3.58	4	5.91	0.59	0.98	19.29	M12
AB-1602	10.04	14.17	0.79	9.45	3.58	4	5.91	0.59	0.98	19.29	M12